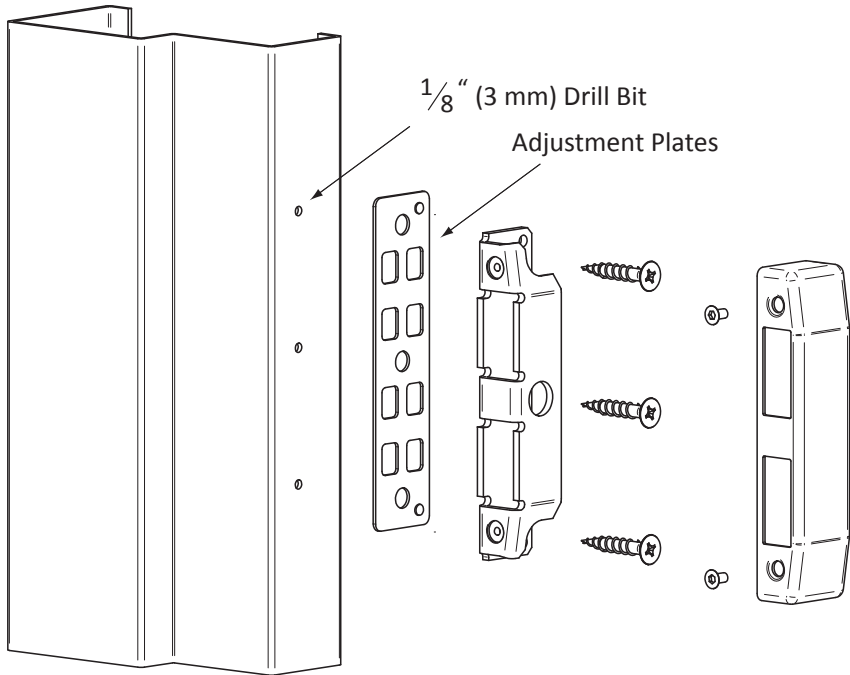
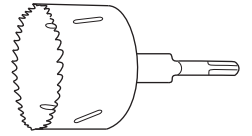
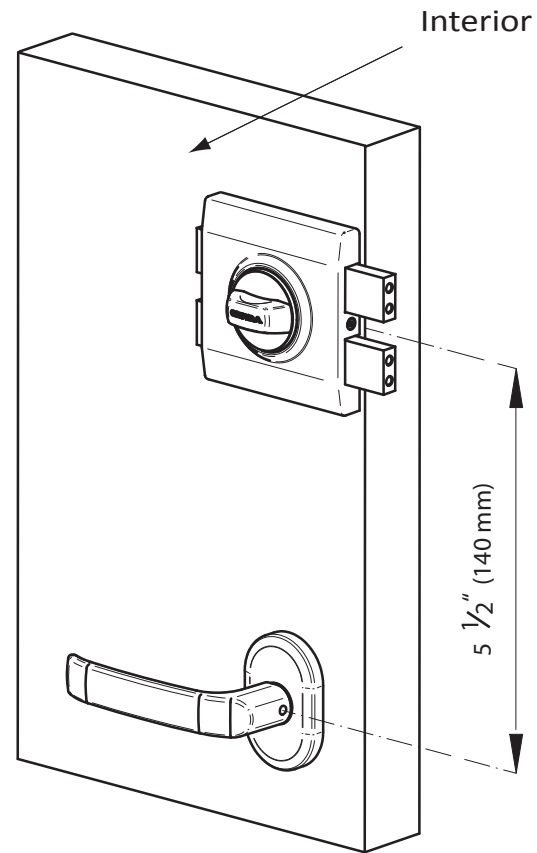
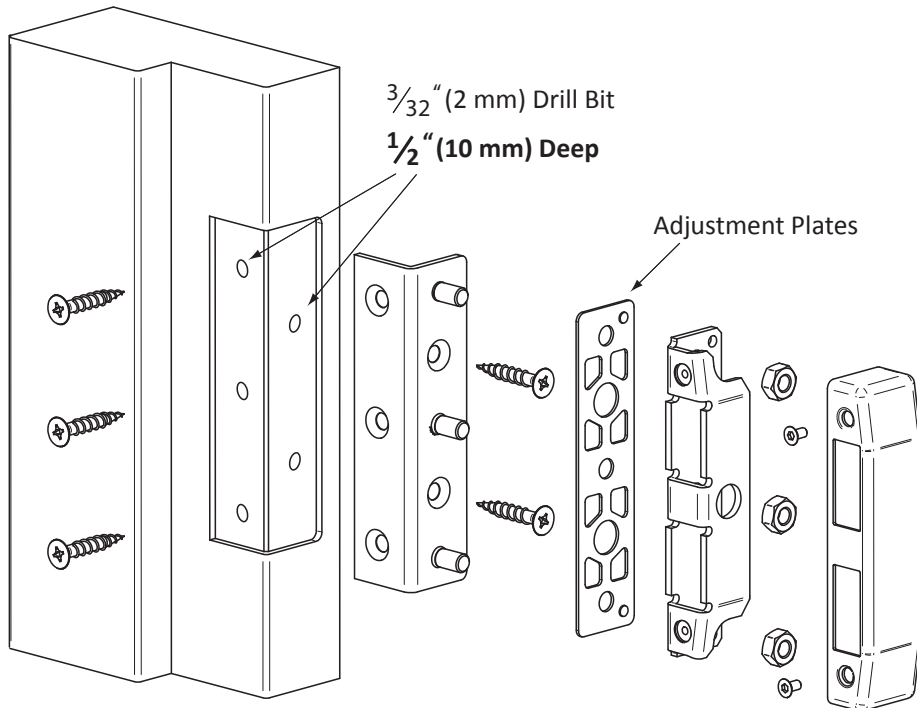


STEEL FRAME



WOODEN FRAME



1 3/4" (45 mm)



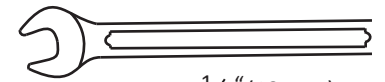
3/8" (9 mm)



1/8" (3 mm)



3/32" (2 mm)



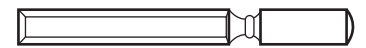
1/2" (13 mm)



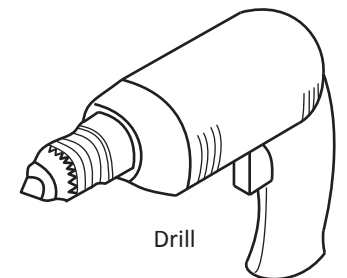
10 mm



Phillips screwdriver

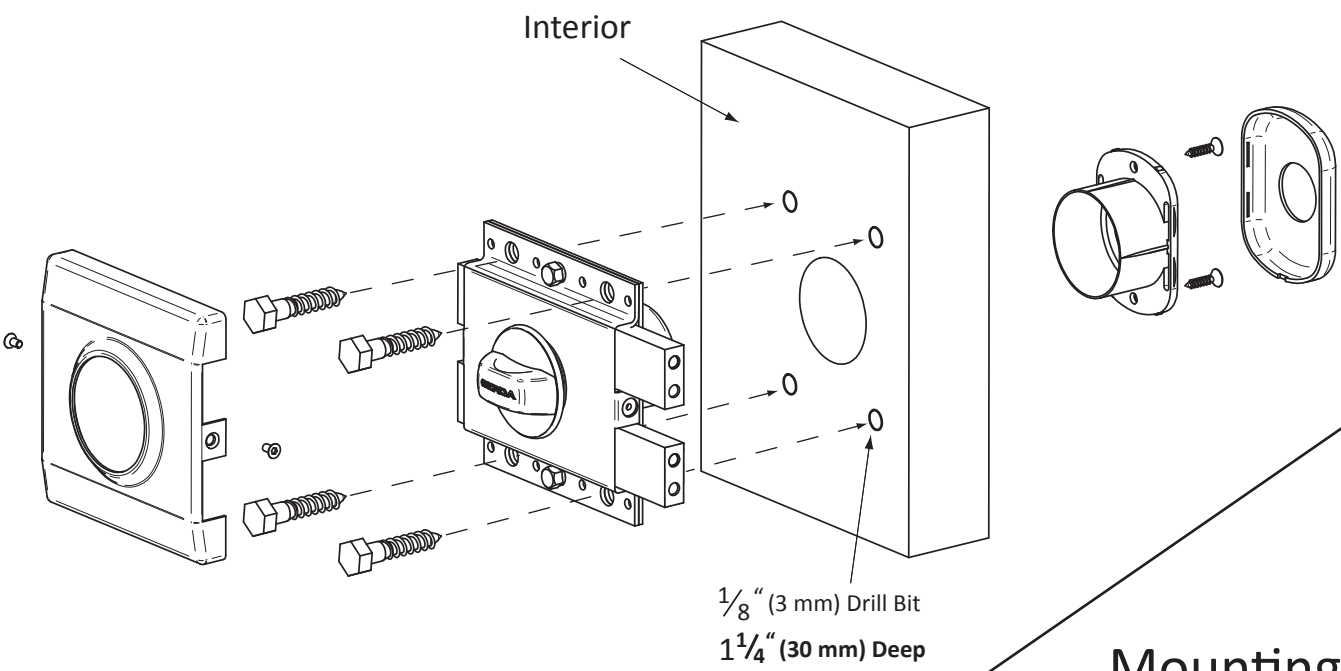


Chisel

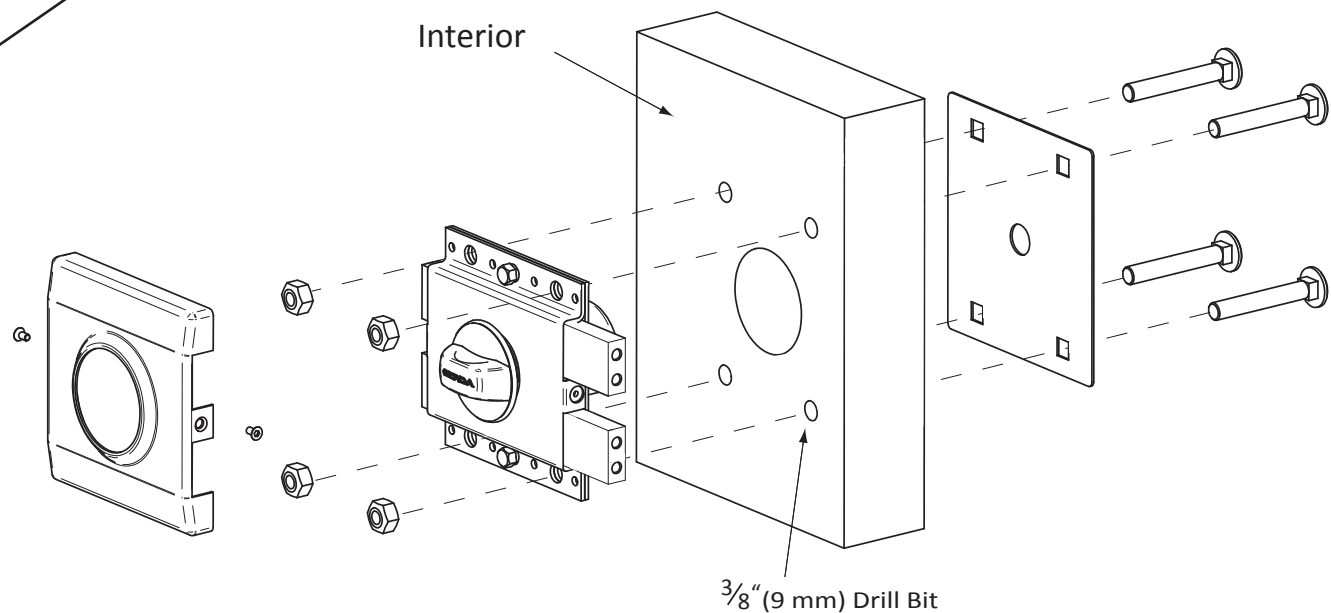


Drill

Mounting in Wooden Door



Mounting in Fiberglass or Steel Door and as a Replacement for a Deadbolt



GERDA LLC
888 Biscayne Boulevard
Suite 5202
Miami, FL 33132
U.S.A.

office@gerdasecurity.com
www.gerdasecurity.com

